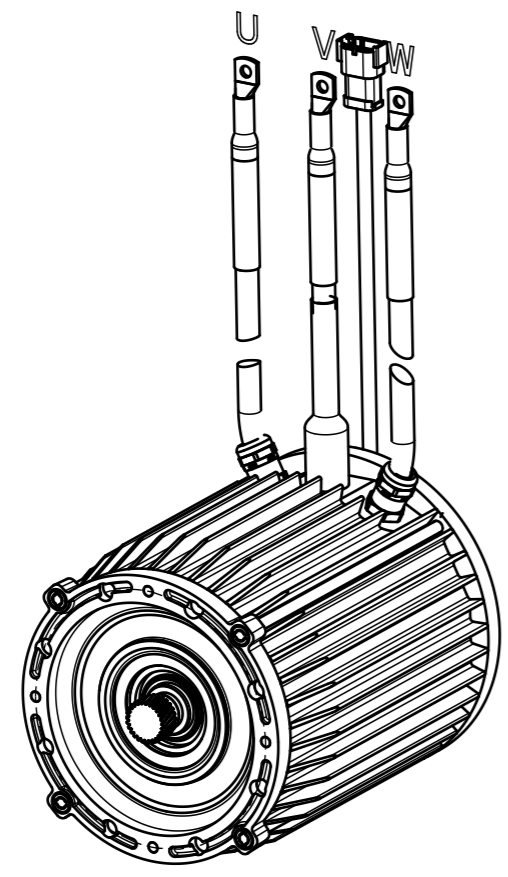
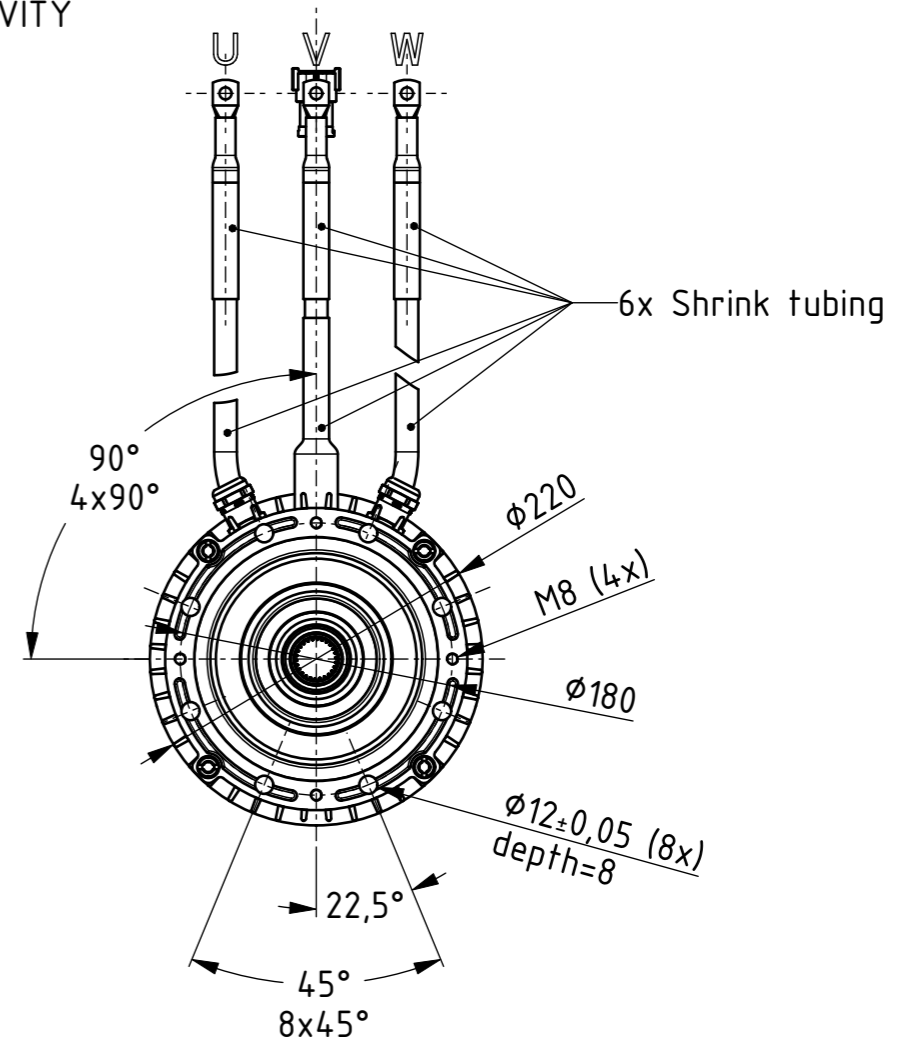
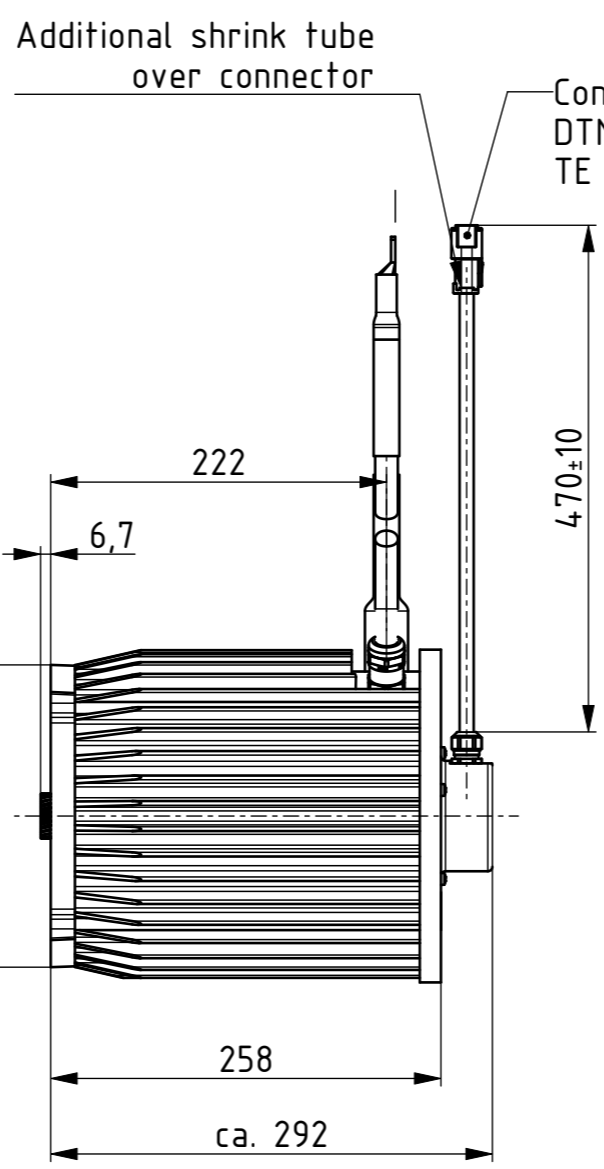
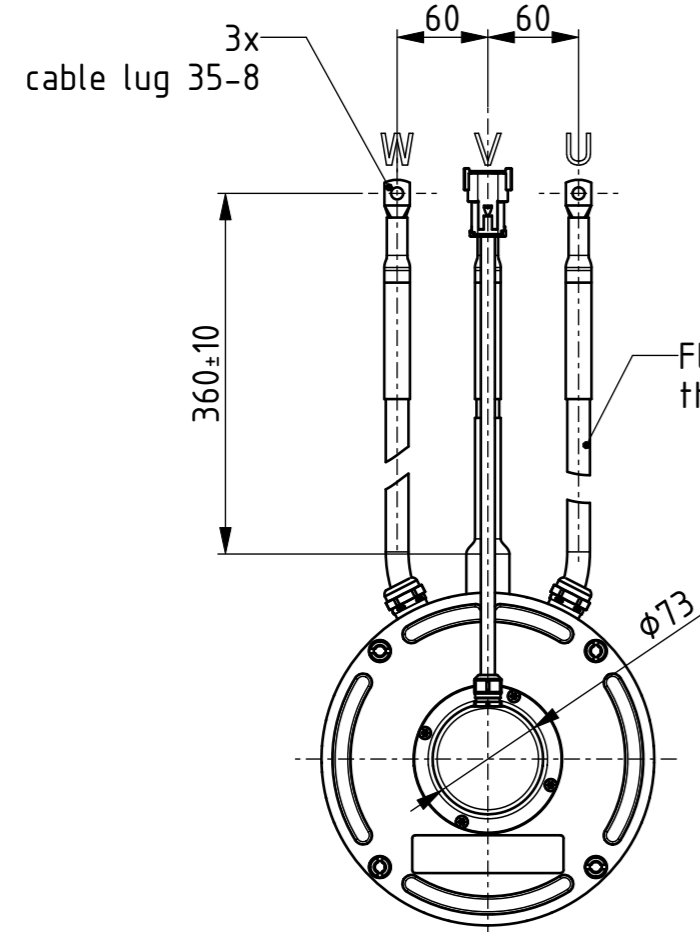


© KOLEKTOR d.d. in njene povezane družbe. Vse pravice pridržane. Brez dovoljenja je prepovedano kakršnokoli reproduciranje, distribucija, predelava ali druga uporaba.  
 © KOLEKTOR d.d. and its affiliated companies. All rights reserved. Any reproduction, distribution, processing or other use is prohibited without permission.



Kupec/Customer Part No.	Rev	Status	Format		SAP ID	Koda/Code	Masa/Mass(kg)
	A	In Work	A3		886889	13-1637-05	27,40
Standard ISO 2768-fK	ECN		Merilo Scale	1:5	Naziv/Title PMBL Motor   BL180/90		
	Datum Date	23.04.2024	List Sheet	1/1			
	Izdelal Created	Tratnik A.					
Hrapavost površine/Surface	<b>KOLEKTOR</b>				2D	BL18090_13-1637-05_886889/A.1	
					3D	BL18090_13-1637-05_886889/A.1	