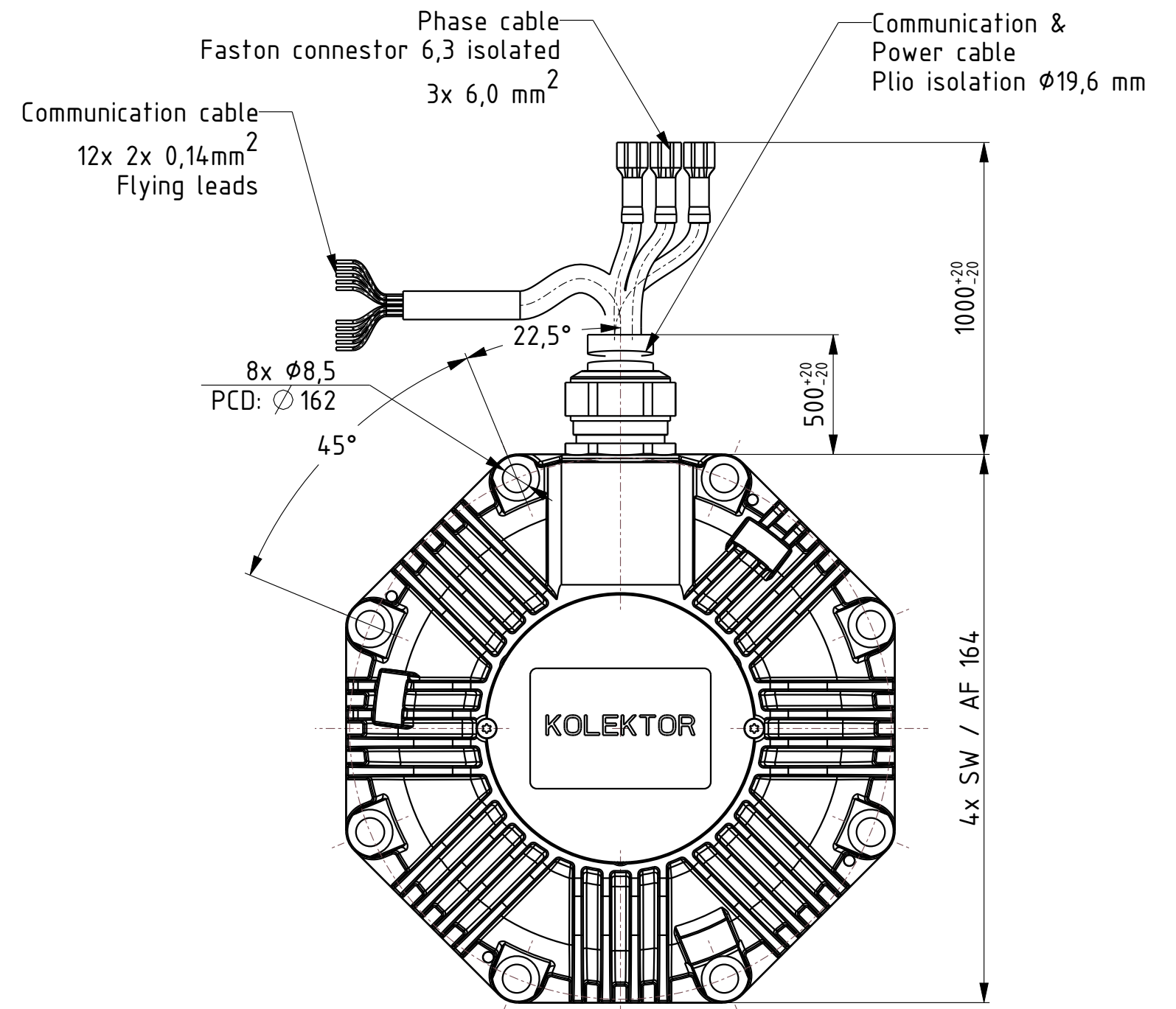
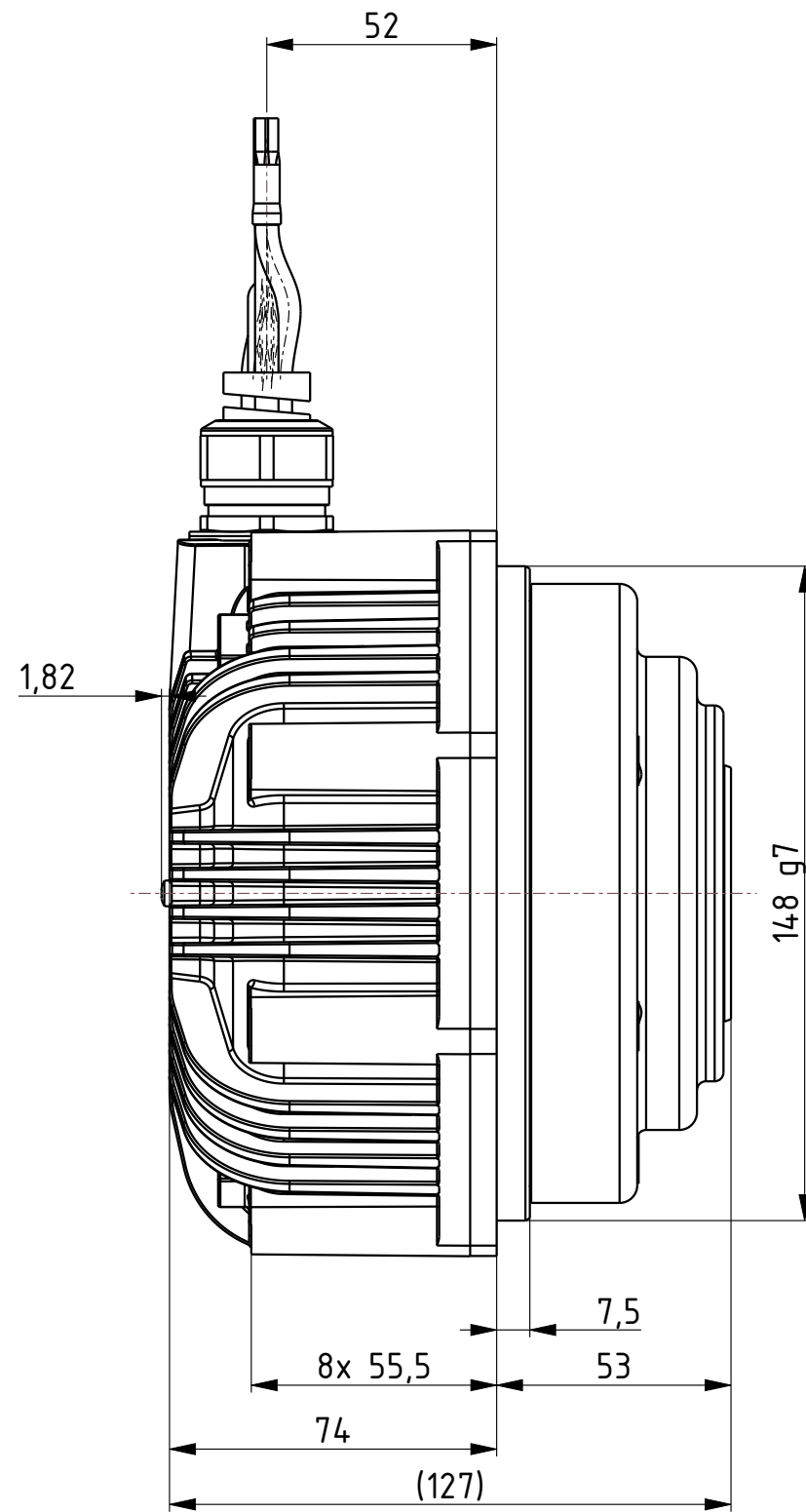
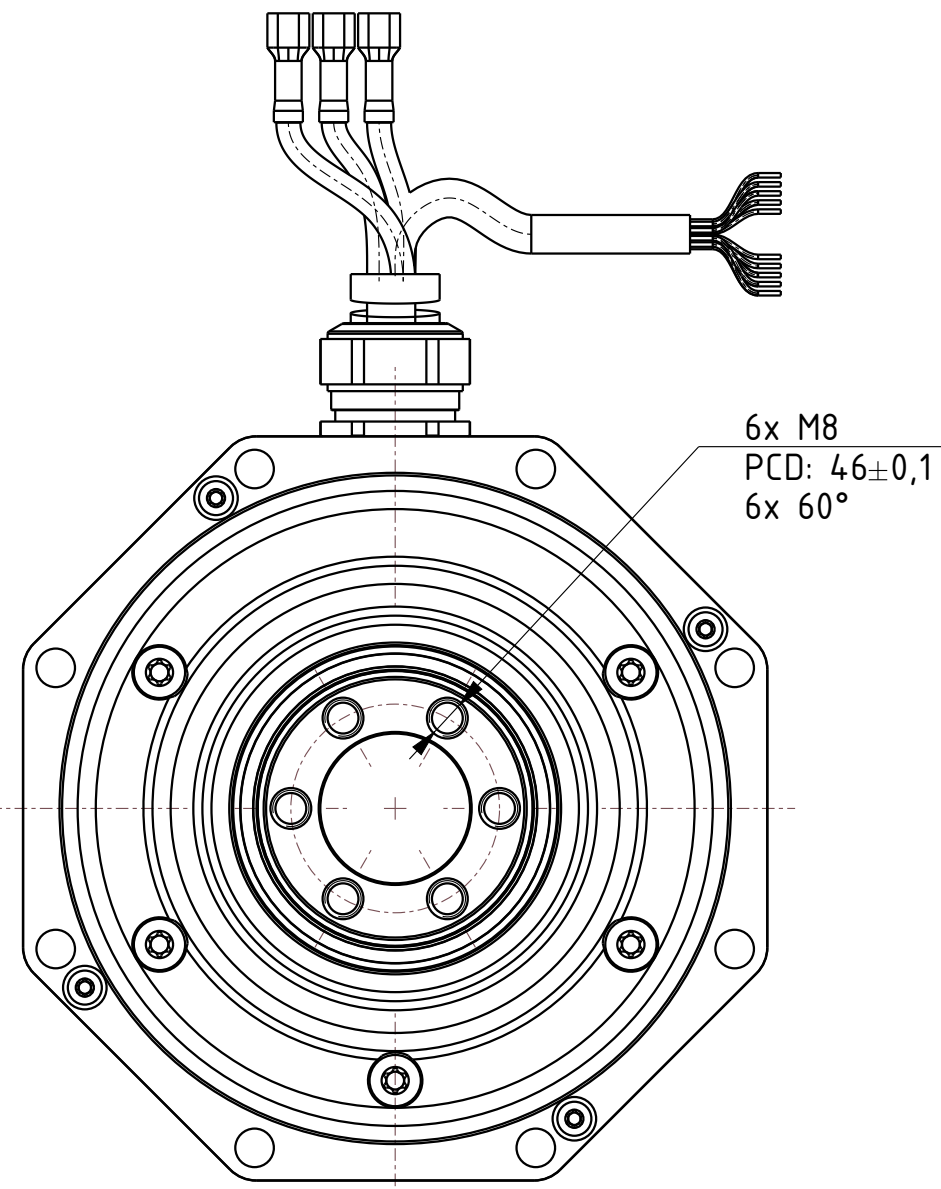


© KOLEKTOR HOLDING d.d. in njene povezane družbe. Vse pravice pridržane. Brez dovoljenja je prepovedano kakršnokoli reproduciranje, distribucija, predelava ali druga uporaba. © KOLEKTOR HOLDING d.d. and its affiliated companies. All rights reserved. Any reproduction, distribution, processing or other use is prohibited without permission.



COMMUNICATION CABLE 2x2x0.14mm			
BRAKE/ SWITCH/ THERMISTOR			
Brake positive	Br 24V	yellow	0.14 mm ²
Brake negative	Br GND	green	0.14 mm ²
Manual release Switch	COM	pink/brown	0.14 mm ²
Manual release Switch	NC	pink/white	0.14 mm ²
Schild (GND)	GND	/	/
Thermistor	T-MOT	purple	0.14 mm ²
ENCODER ABSOLUTE: SSI			
Encoder positive supply	5V	white	0.14 mm ²
Encoder negative supply	GND	brown	0.14 mm ²
SSI Clock signal	CLK(+)	pink	0.14 mm ²
SSI Clock signal	CLK(-)	grey	0.14 mm ²
SSI Data signal	DO(+)	blue	0.14 mm ²
SSI Data signal	DO(-)	red	0.14 mm ²
ENCODER INCREMENTAL: AB (GALVANICALLY ISOLATED)			
Encoder isolated positive supply	5V_EXT	red/blue	0.14 mm ²
Encoder isolated negative supply	GND_EXT	grey/pink	0.14 mm ²
Incremental output	A(-)	yellow/brown	0.14 mm ²
Incremental output	A(+)	white/yellow	0.14 mm ²
Incremental output	B(-)	green/brown	0.14 mm ²
Incremental output	B(+)	white/green	0.14 mm ²
Incremental output	Z(-)	white/grey	0.14 mm ²
Incremental output	Z(+)	grey/brown	0.14 mm ²

TECHNICAL DATA:

MOTOR:
Voltage 48 VDC
Power 750W S2 = 60min
Insul. class F
Prot. class IP 54

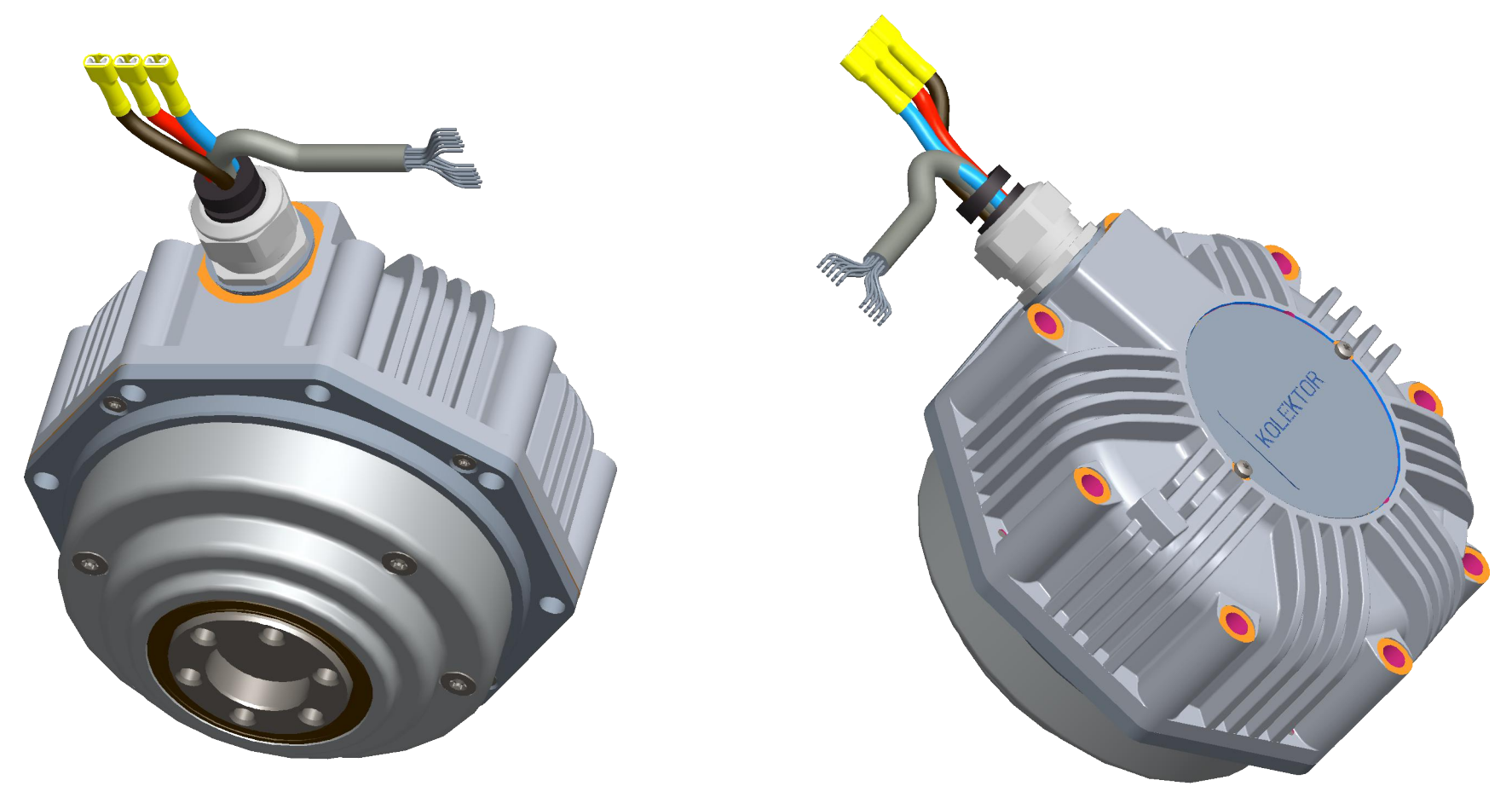
GEAR:
Ratio i = 1:8.786
No load speed n_{n.l.} = 200/min
Nominal speed n_{nom.} = 177/min
Nominal torque M_{nom.} = 40 Nm
Wheel load max. 350 kg

BRAKE:
Voltage 24 VDC
Microswitch-control supervision Switch

ENCODER:
Sensor iC-MHM
Voltage: 5V +/-10%
Technology: hall sensor
Output type: SSI, Incremental AB

THERMOSENSOR:
KTY 81/110

POWER SUPPLY 3x 6.0mm			
Stator1	W	brown	6.0 mm ²
Stator2	V	blue	6.0 mm ²
Stator3	U	red	6.0 mm ²



Material	Rev	Status	Format	SAP ID	Koda/Code	Masa/Mass(kg)
	B	Designed	A2	1047568	13-2102-01	6,96
Standard	ECN	BLGE-3849	Merilo Scale	3:5	Naziv/Title	
	Datum Date	06.04.2023	List Sheet	1/1	POGON BLStEn 145/25	
Izdelal Created	Anže Hadalin					
Hrapavost površine/Surface	KOLEKTOR					
	2D	098_2102_01_MOTOR_SALES/B.4				
	3D	065_2102_01_POGON/B.4				